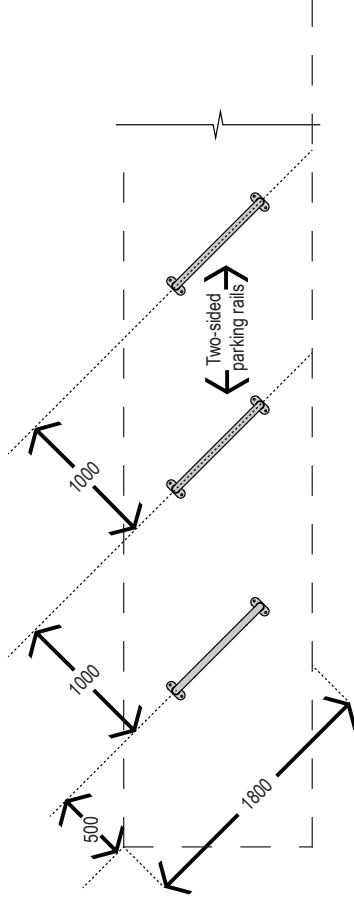
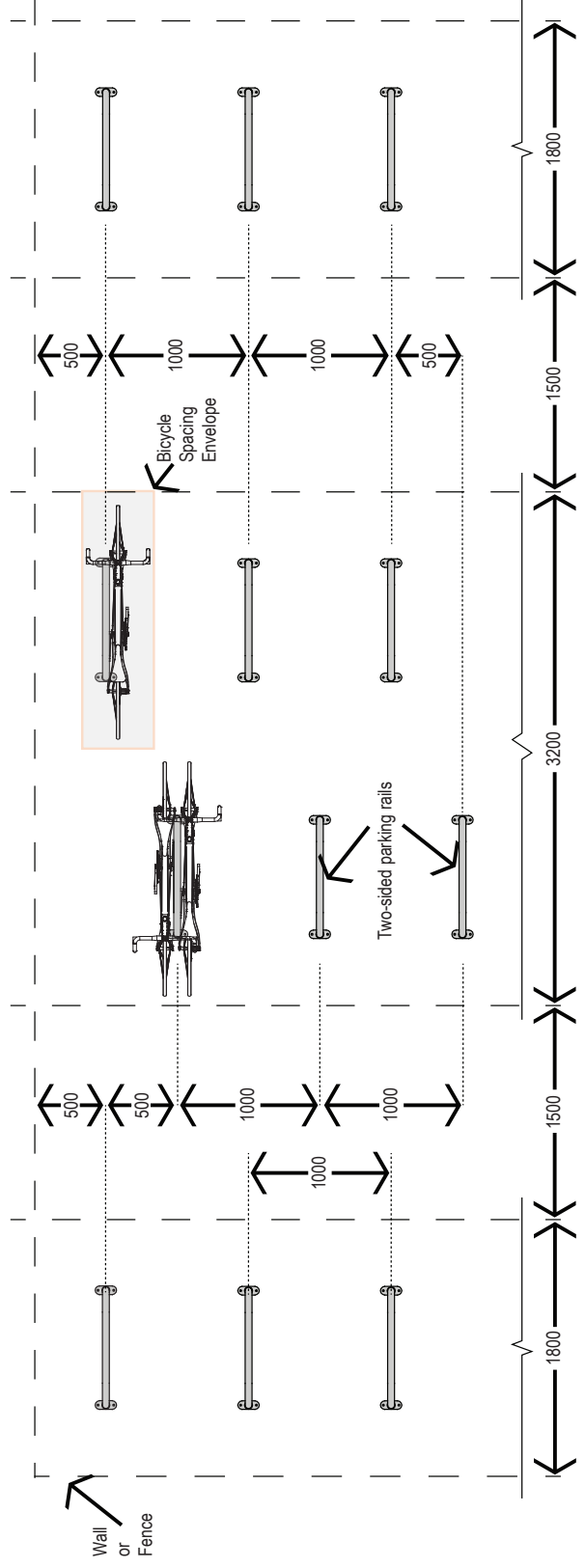


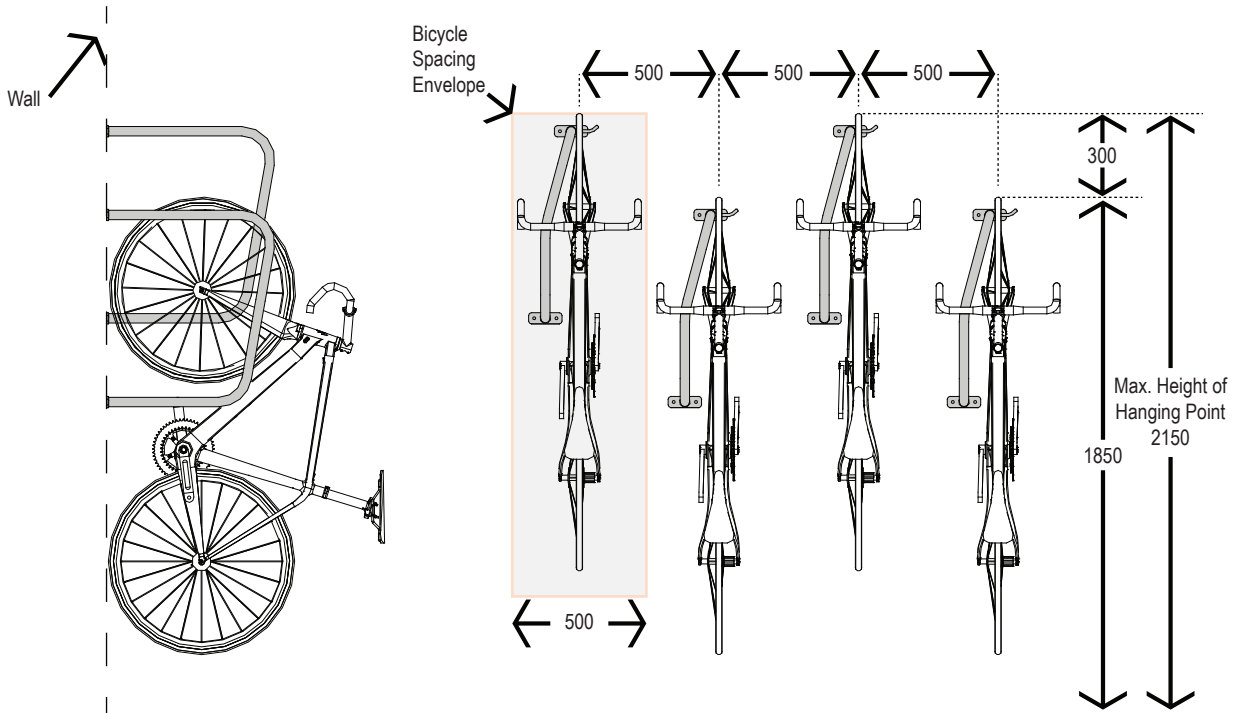
TYPICAL ARRANGEMENT FOR MULTIPLE ROW PARKING WITH SINGLE AISLE (90DEG PARKING)



TYPICAL ARRANGEMENT FOR ANGLE (OTHER THAN 90DEG) PARKING

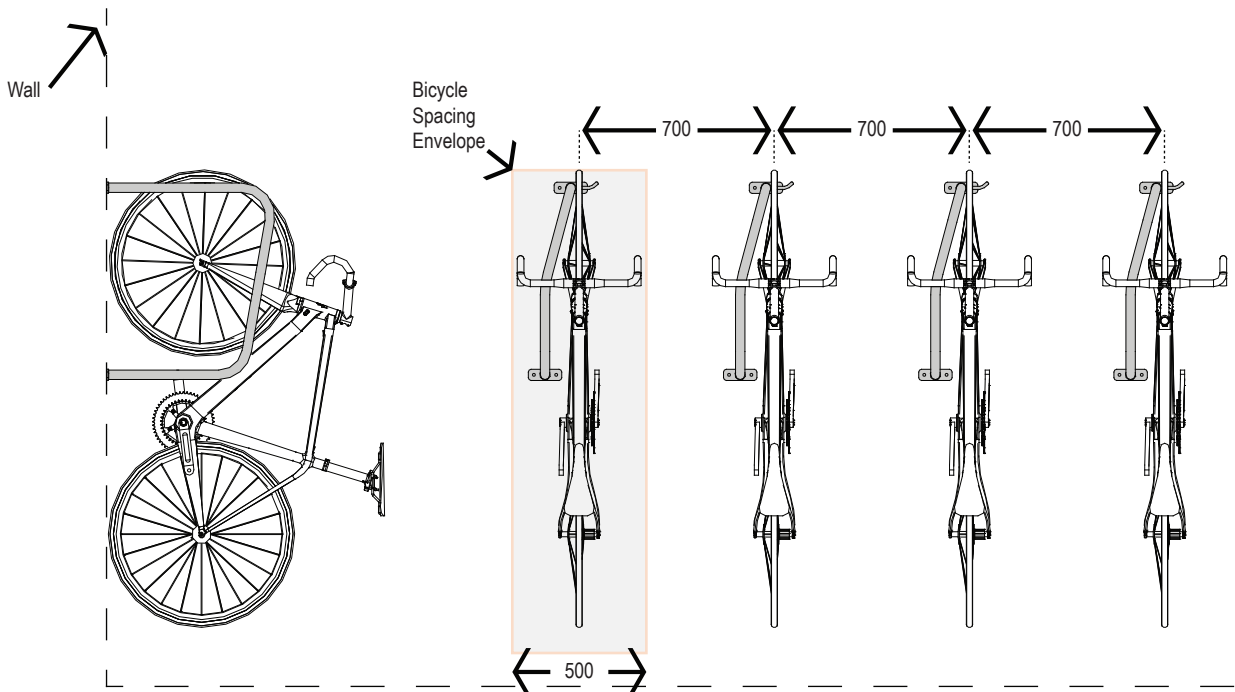


TYPICAL ARRANGEMENT FOR MULTIPLE ROW PARKING WITH TWO AISLES (90DEG PARKING)



TYPICAL ARRANGEMENT FOR VERTICAL WALL MOUNTED BICYCLE PARKING (STAGGERED)

*To include a minimum of 20% of ground level (horizontal) parking in any bike parking facility.*



TYPICAL ARRANGEMENT FOR VERTICAL WALL MOUNTED BICYCLE PARKING (NOT STAGGERED)

*To include a minimum of 20% of ground level (horizontal) parking in any bike parking facility.*